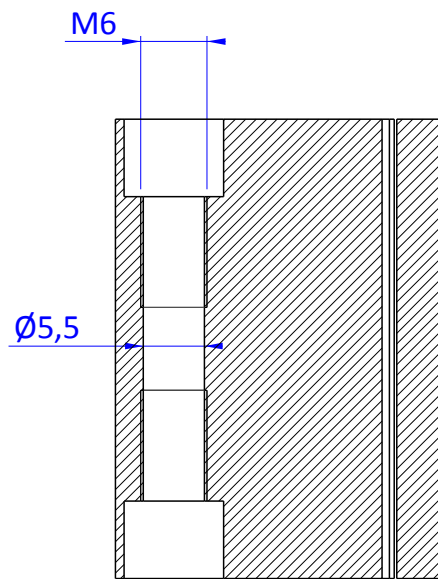
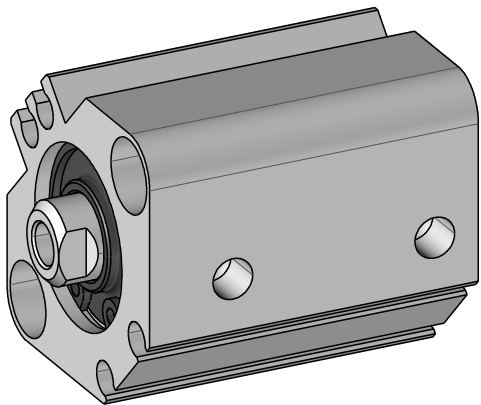
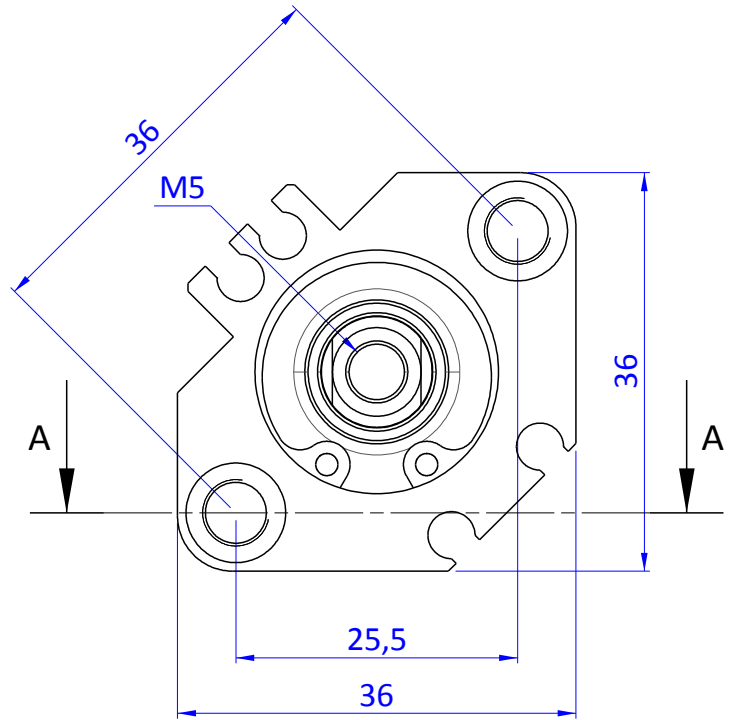
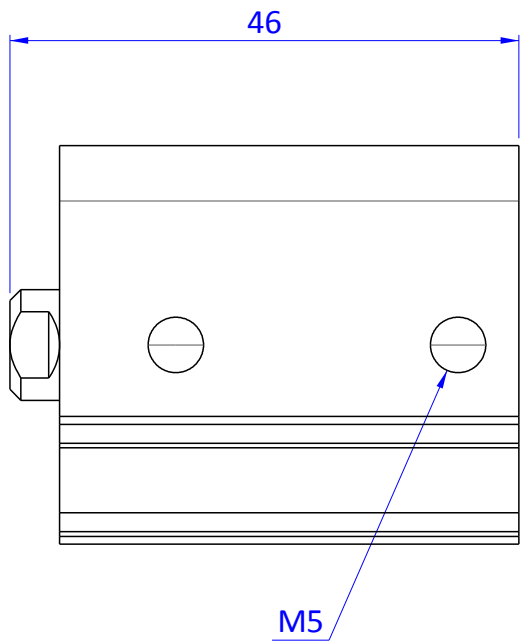

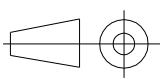


THE PROPERTY OF THE DRAWING IS ESTABLISHED BY LAW. IT IS FORBIDDEN TO PRODUCE OR SHOW IT TO THIRD PART. WITHOUT A WRITTEN AGREEMENT.



A - A

STROKE = 10 mm

<p>Format A4</p> <p>UNI 936-76</p>	 <p>FPSERVICES AUTOMATION</p>			DESIGNED FROM <b>FPS Automation</b>	REVIEW <b>A</b>	
	GENERAL TOLERANCE UNI - ISO 2768 CLASSE f	DESCRIPTION CA.11.18.005		DATE 04/07/2019	WEIGHT 0.106Kg	
				CODE CA.11.18.005		